

Technical Data Sheet

CODE 17145

LINEO 125

Mixed flow extractor fans



Certifications

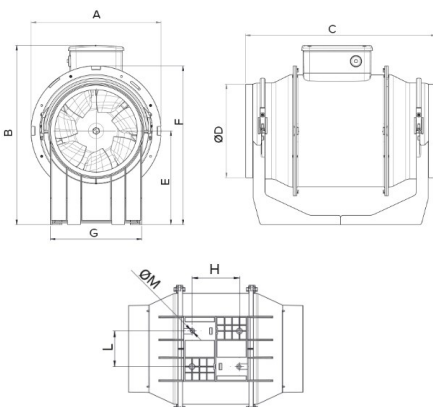


CB TEST CERTIFICATE

Technical and performance data

Frequency (Hz)	50	Breakout sound pressure at 3m at Min speed Lp [dB (A)]	22,9
Insulation class	II ^o	Max airflow at Max speed (l/s)	101,4
IP	44	Max airflow at Max speed (m ³ /h)	365
Max absorbed current at Max speed (A)	0,15	Max pressure at Max speed (mmH2O)	17
Max absorbed current at Min speed (A)	0,11	Max pressure at Max speed (Pa)	166,8
Max absorbed power at Max speed (W)	33	Max RPM	2140
Max ambient temperature for continuous operation (°C)	60	Min RPM	1570
Nominal diameter (mm)	125	Potenza sonora at supply side at Min speed LWA [dB (A)]	53,5
Power absorbed at 1st speed (W)	25	Pressure at 1st speed (mmH2O)	13
Voltage (V)	220-240	Pressure at 1st speed (Pa)	127,5
Weight (Kg)	1,8	Sound power at extract side at Max speed LWA [dB (A)]	62,6
Airflow at 1st speed (l/s)	69,4	Sound power at extract side at Min speed LWA [dB (A)]	55,9
Airflow at 1st speed (m ³ /h)	250	Sound power at supply side at Max speed LWA [dB (A)]	61,2
Breakout sound power LWA at Max speed [dB (A)]	51,3	Sound pressure at extract side at 3m at Max speed Lp [dB (A)]	45,0
Breakout sound power LWA at Min speed [dB (A)]	43,4	Sound pressure at extract side at 3m at Min speed Lp [dB (A)]	38,4
Breakout sound pressure at 3m at Max speed Lp [dB (A)]	30,8	Sound pressure at supply side at 3m at Max speed Lp [dB (A)]	43,7
		Sound pressure at supply side at 3m at Min speed Lp [dB (A)]	36,0

Dimensions



Size A (mm)	188,5
Size B (mm)	211
Size C (mm)	258
Size D (mm)	122
Size E (mm)	101,5
Size F (mm)	189
Size G (mm)	90
Size H (mm)	80
Size L (mm)	60
Size M (mm)	5,5

PER INFORMAZIONI / FOR INFORMATION

ITALY

Pre Sales:

prevendita@vortice-italy.com

After Sales:

postvendita@vortice-italy.com

UNITED KINGDOM & REP. OF

IRELAND

Sales Dept:

sales@vortice.ltd.uk

Technical Dept:

technical@vortice.ltd.uk

OTHER COUNTRIES

Sales Dept:

export@vortice-italy.com

After Sales:

after-sales@vortice-italy.com

Technical Data Sheet

CODE 17145

LINEO 125

Mixed flow extractor fans

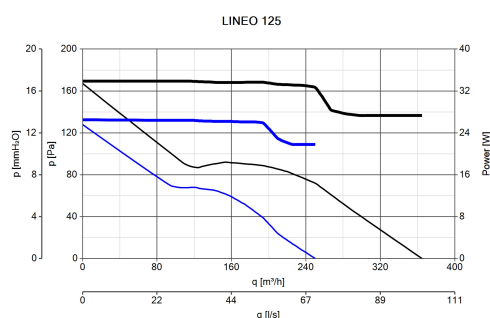


Description

- Enclosures made of fire resistant plastic resin, E2 class, according with ISO EN 11925-2: 2010, in areas close to motor and electrical components.
- Nominal diameter 125 mm.
- Induction motor, thermally protected, with shaft mounted on ball

- bearing supports, coupled with a centrifugal impeller.
- High water resistance: IPX5 (if installed in a duct).
- Speed adjustable through Vortice speed devices.

Curves



Accessories



C TEMP

Code 12992



C SMOKE

Code 12993



C HCS

Code 12994



C PIR

Code 12998



C TIMER

Code 12999



LINEO-G 125

Code 22702



LINEO-C 125

Code 22585



LINEO-PF 125

Code 22578



DUO

Code 22914



IN-LINE-S 125

Code 22556



LINEO-SF 500

Code 22593



**C 1.5
(COMANDO EL.
1.5 A)**

Code 12966



**KIT SCB
(TRASF.E.C.)**

Code 22481

PER INFORMAZIONI / FOR INFORMATION

ITALY

Pre Sales:

prevendita@vortice-italy.com

After Sales:

postvendita@vortice-italy.com

UNITED KINGDOM & REP. OF

IRELAND

Sales Dept:

sales@vortice.ltd.uk

Technical Dept:

technical@vortice.ltd.uk

OTHER COUNTRIES

Sales Dept:

export@vortice-italy.com

After Sales:

after-sales@vortice-italy.com