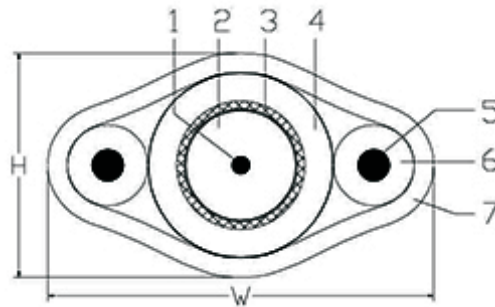


CCTV Combo Cable (Rg59 + Fig 8)

Wire & Cable Specification

Combo Cable



1. Conductor
2. Dielectric
3. Braid
4. Shield
5. Conductor
6. Dielectric
7. Jacket

Effective Date : 09-09-02	Prepared :	Checked :	Approved :
Type	Combo Cable		
Spec.	(1/0.6 Copper+128/0.12Copper)+(24/0.23Copperx2) High=7.8mm Wide=13mm		
Conductor 1	1/0.6±0.006Bare Copper		
Dielectric	Solid PE		
	Min. Thickness 1.25mm / Normal Thickness 1.47mm		
	O.D 3.7±0.1mm		
	Spark: 3000V a.c		
Braid	128/0.12±0.003Copper 20Pitch Coverage 93%		
	Normal O.D 4.18mm		
Shield	PVC UV		
	Min. Thickness 0.82mm / Normal Thickness 0.96mm		
	Normal O.D 6.2±0.1mm		
	Spark: 4000V a.c		
Conductor 2	24/0.23±0.003mmCopperx2		
Shield	Normal OD 1.07mm		
Jacket	UV PVC/Color: Black, Red		
	Min Thickness 0.66mm /Normal Thickness 0.77mm		
	Normal OD 2.7mm		
	Spark: 4000V a.c		
Out Jacket	PVC Black		
	Min thickness 0.55mm /Normal Thickness 0.65mm		
	H=7.8±0.2mm, W=13±0.2mm		