

Pop Up Floor/Desk Box

AT A GLANCE...

- Capacity: 2 Auto Switch GPOs
- Box Size: 120 x 120 x 80 mm Deep
- Lid Material: Satin Alloy
- Lid Size: 155 x 145 mm

“Easy as ECD®”

- Suitable for use on carpeted floors, bench tops, desks and board room tables.
- Pop up action allows the floor/desk box to be discretely tucked away when not in use.
- Lid damper provides a smooth pop up action.
- The FB120 Pop Up Floor/Desk box has a capacity of 2 no. auto switch power outlets.
- Power outlets are pre wired to a terminal block for quicker, easy and more cost effective on-site installation.
- With a compact and hard wearing design, it measures only 155 x 145 mm and is available with a satin alloy finish.
- Supplied with temporary lid for construction.
- This product has been examined in accordance with AS 3000 and conforms to A.C.M.A. requirements.



ESTABLISHED 1979

Electric Cable Duct Systems P/L

Phone: 1300 123 ECD (323)

Email: info@ecd.net.au

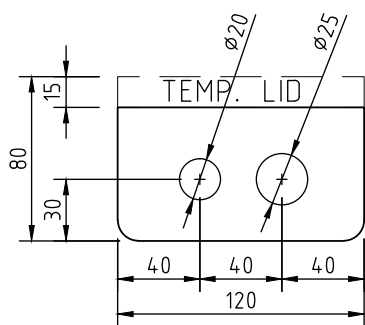
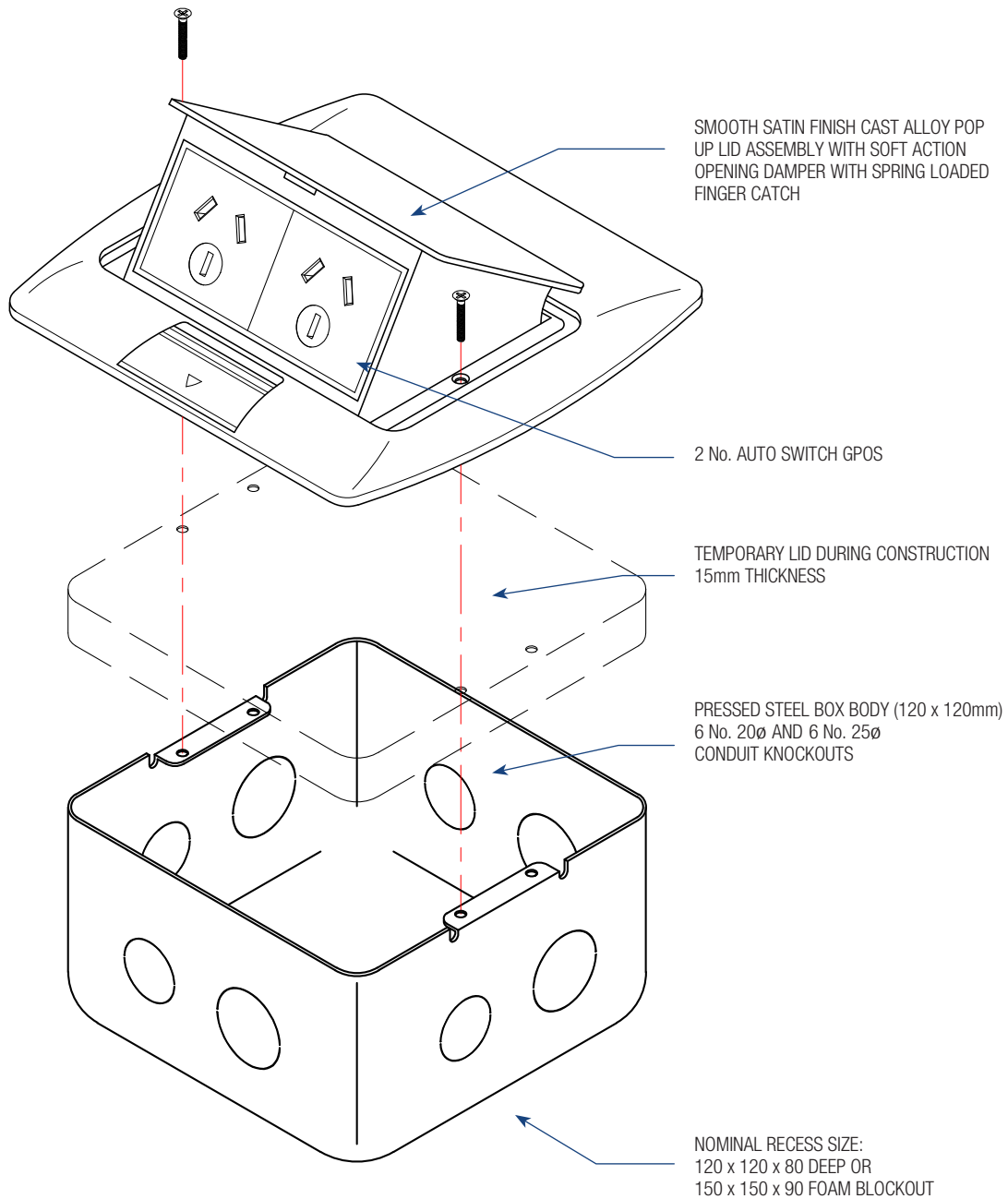
Fax: 1300 372 825

website: www.ecd.net.au

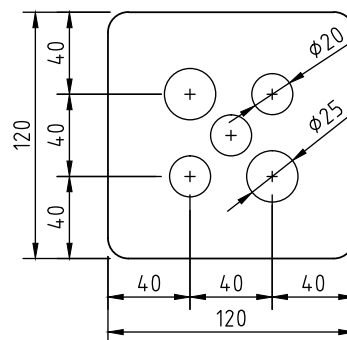
ABN 80005544105

ASSEMBLY DIAGRAM

POP UP FLOOR/DESK BOX – FB120



CONDUIT LOCATION
TO SIDES (TYP.)



CONDUIT LOCATION
BOX BASE