

Stainless Steel Floor Box 20mm Deep Recess

AT A GLANCE...

- Capacity: 1 standard sized GPO
1 No. 3 Gang Data Plate
- Box Size: 135 x 130 x 100 mm Deep
- Lid Size: 150 x 150 x 20 mm Deep recess
- Lid Material: Stainless Steel
- Lid Rebate: 20 mm Deep
- Suitable for: Compact installations

- Recessed Stainless Steel Lid and Frame with 20 mm rebate for floor finish (typically polished timber boards or ceramic tiles).
- Suitable for use in: Modern open plan living areas, home theatres, showrooms, shop-front displays, boardroom tables, schools, universities, and public buildings.
- Available in Stainless Steel the 150 x 150 mm lid installs flush, provides minimum disruption to the floor finish and is suitable for use with polished floor boards, carpet, ceramic tiles and vinyl floor coverings. (Not suitable for use in wet areas)
- The cable exit flap allows cords out of the box when in use and closes flat when not in use.
- A versatile, practical and decorative solution to your open plan cabling needs.
- This product has been examined in accordance with AS 3000 and conforms to A.C.M.A requirements.

“Easy as ECD®”



ESTABLISHED 1979

Electric Cable Duct Systems P/L

Phone: 1300 123 ECD (323)

Email: info@ecd.net.au

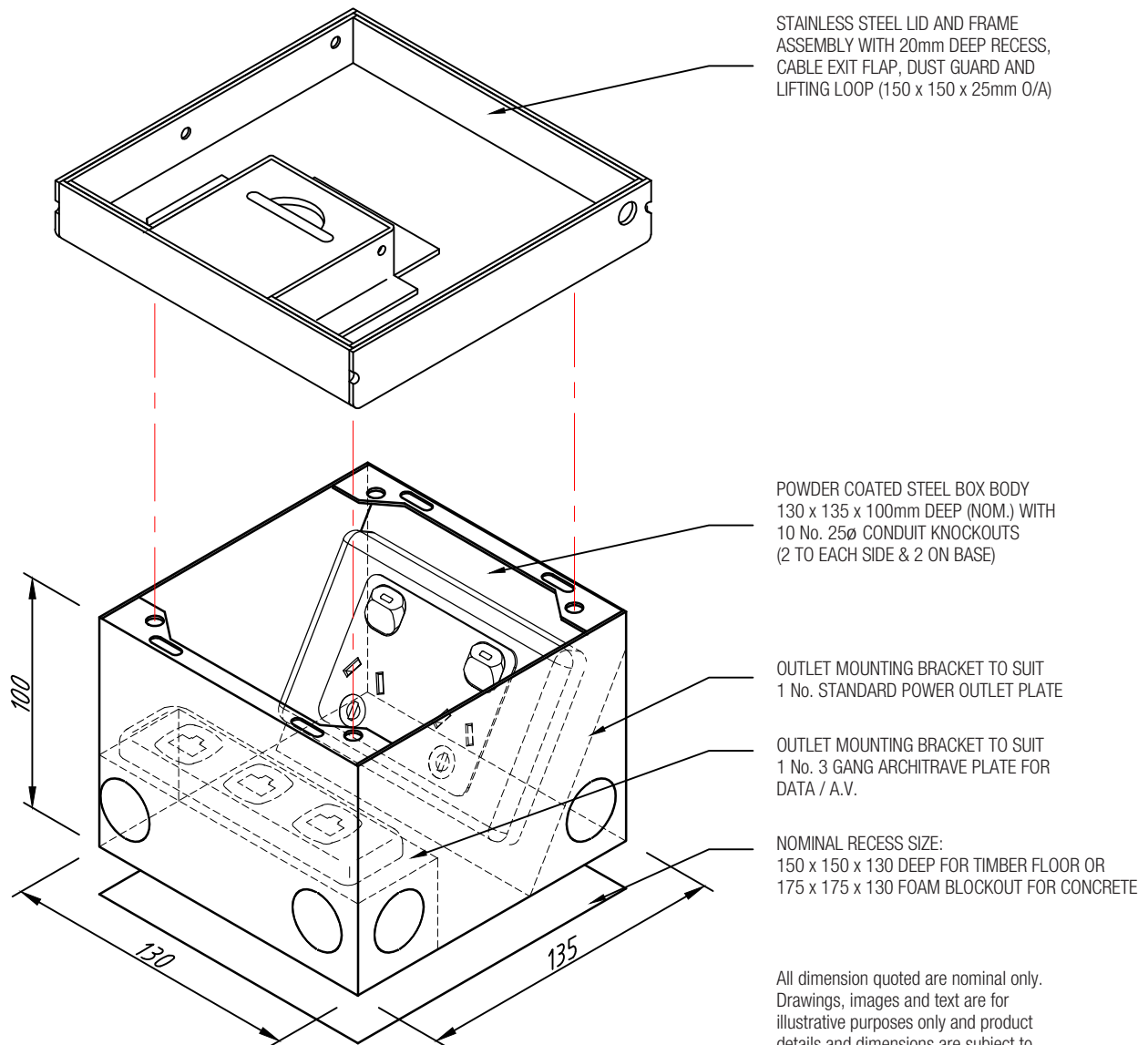
Fax: 1300 372 825

website: www.ecd.net.au

ABN 80005544105

ASSEMBLY DIAGRAM

STAINLESS STEEL FLOOR BOX – 20MM DEEP RECESS – FB149



All dimension quoted are nominal only. Drawings, images and text are for illustrative purposes only and product details and dimensions are subject to change without notice.

This product is not suitable for use in wet areas, is intended for use with fixed wiring only and must be installed by a licensed Electrical Mechanic in accordance with AS 3000, SAA Wiring Rules and A.C.M.A. requirements.

