

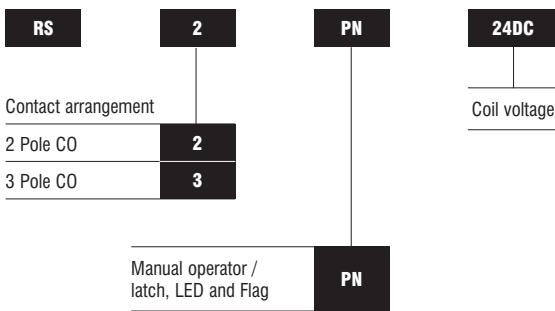
Miniature High Power Relay RS



- 10A switching capability
- Long endurance (min. 100,000 elec. operations)
- Industry standard 8 or 11 round terminals
- Different sockets available
- Class A insulation system
- Outline dimensions: 35.5 x 35.5 x 55.3 mm



Options and Ordering Codes



Contact Data

Contact arrangement	2C	3C
Contact resistance	100mΩ (at 1A 24VDC)	
Contact material	AgSnO ₂	
Contact Rating	10A 250VAC/30 VDC	NO: 10A 250VAC / 30VDC NC: 5A 250VAC / 30VDC
Max. switching voltage	277 VAC / 30 VDC	
Max. switching current	10A	
Max. switching power	2500 VA / 300 W	
Mechanical Life	1x10 ⁷ OPS	
Electrical Life	1x10 ⁵ OPS	

Characteristics

Initial Insulation Resistance	500MΩ (at 500VDC)	
Dielectric Strength	Between coil & contacts	2500VAC 1min.
	Between open contacts	2000VAC 1min.
Operate time (at nomi. Volt)	30 ms max.	
Release time (at nomi. Volt)	30 ms max.	
Shock resistance	Functional	98m/s ²
	Destructive	980m/s ²
Vibration resistance	10 to 55Hz 1.5mm DA	
Ambient temperature	-40°C to +55°C	
Humidity	5% - 85% RH	
Termination	Octal Type Plug	
Unit Weight	Approx 100g	
Construction	Dust protected	

Coil Data

at 23°C

Nominal Voltage VDC	Pick-up Voltage VDC	Drop-out Voltage VDC	Max. Allowable Voltage VDC	Coil Resistance Ω
6	4.8	0.6	7.2	23.5 (1 ± 10%)
12	9.6	1.2	14.4	95 (1 ± 10%)
24	19.2	2.4	28.8	430 (1 ± 10%)
48	38.4	4.8	57.6	1630 (1 ± 10%)
60	48	6	72	1920 (1 ± 10%)
100	80	10	120	6800 (1 ± 10%)
110	88	11	132	7300 (1 ± 10%)

Nominal Voltage VAC	Pick-up Voltage VAC	Drop-out Voltage VAC	Max. Allowable Voltage VAC	Coil Resistance Ω
6	4.8	1.8	7.2	3.9 (1 ± 10%)
12	9.6	3.6	14.4	16.9 (1 ± 10%)
24	19.2	7.2	28.8	70 (1 ± 10%)
48	38.4	14.4	57.6	315 (1 ± 10%)
110	88	36	132	1600 (1 ± 10%)
230	176	72	264	6800 (1 ± 10%)

Coil

Coil power	DC type	1.5W
	AC type	2.7VA

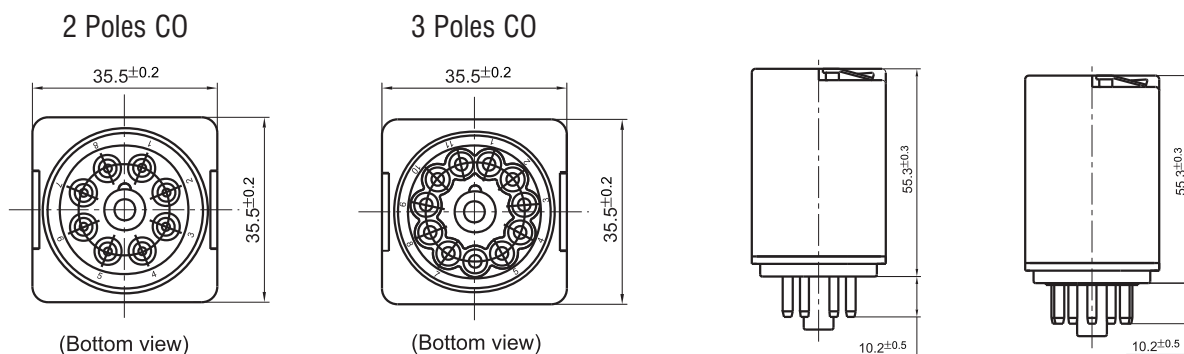
Safety Approval Ratings

UL/CUL	10A 250VAC/30 VDC
	1/3HP 240VAC
	1/2HP 277VAC

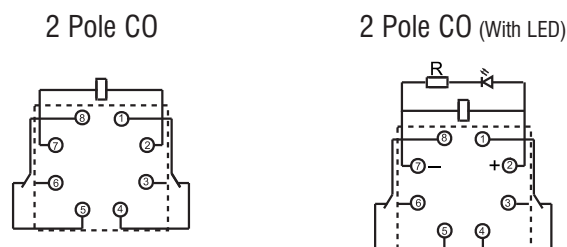
Miniature High Power Relay RS



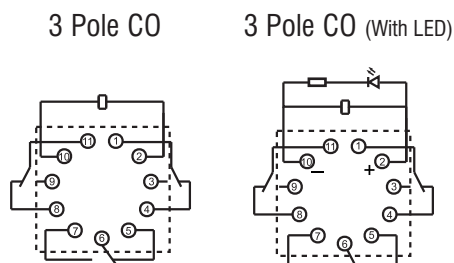
Outline dimensions (mm)



Wiring Diagram



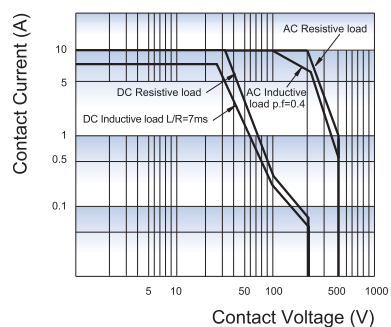
Remark: For AC parts with diode, the positive and negative pole markings on wiring diagram are not applicable.



Remark: For AC parts with diode, the positive and negative pole markings on wiring diagram are not applicable.

Characteristics Curve

Maximum Switching Power



Endurance Curve

