

Direct-On-Line Starters



Technical Datasheet

Key Features

- Up to 11kW
- IP65 Rated Enclosure
- Start-Stop Pushbuttons
- Hand-Off-Auto Selector
- Wired to Accept Overload
- M20 x 1.5 conduit knockouts
- 180mm x 110mm x 101mm



Options & Ordering Codes

DOL **10 - 110**

Series	Coil Voltage
Direct-On-Line Starter	110 110V 60Hz
	230 230V 50Hz
	400 400V 50Hz

Configuration	Current
Start-Stop Pushbuttons	10 10 Amps AC3
Hand-Off-Auto & Reset	18 18 Amps AC3
	22 22 Amps AC3

H

Technical Specifications

Part Number		DOL10*	DOL18*	DOL22*
Contactor		MC10N-S-10*	MC18N-S-18*	MC22N-S-10*
Overload (sold separately)		U12/16E...-MC	U12/16E...-MC	U12/16E...-MC
Max. Frequency of Operation		15/hour		
Max. Temperature		40°C		
Ratings AC3 at 400V	Amps	10	18	22
	kW	4	7.5	11
	HP	6	11	16
Protection Rating (DOL & DOLH)		IP65	IP65	IP65
Coil	Inrush	VA		
	Hold	VA		
	Voltage Range	0.85 - 1.1		
Cable Cross Section	Line	Solid or Stranded mm ²		0.75 - 4
		Flexible mm ²		0.75 - 2.5
		Flexible w/Multicore Cable End mm ²		0.5 - 2.5
	Cables Per Clamp		2	
	Motor	Solid or Stranded mm ²		0.75 - 6 + 0.75 - 2
		Flexible mm ²		0.75 - 4 + 0.5 - 2.5
Flexible w/Multicore Cable End mm ²		0.5 - 2.5 + 0.5 - 1.5		
Cables Per Clamp		1 + 1		

Note: * Indicates control/coil voltage

Direct-On-Line Starters



Product Selection Guide

Technical Datasheet

Starter

AC3 Rating at 400V			Description	Product
Amps	kW	HP		
10	4	6	Start-Stop P/B	DOL10*
18	7.5	11.5	Start-Stop P/B	DOL18*
10	4	6	Hand-Off-Auto	DOLH10*
18	7.5	11.5	Hand-Off-Auto	DOLH18*
22	11	16	Start-Stop P/B	DOL22*

Note: * Indicates control/coil voltage
Starters are wired to accept overload. Overloads are supplied separately (specify coil voltage)

Overload

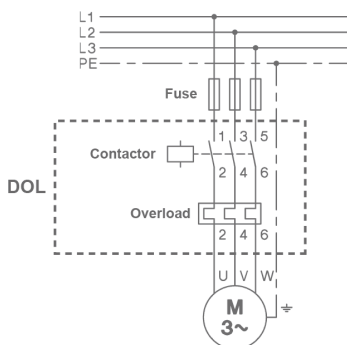
Range Amps	Product	Range Amps	Product
0.12 - 0.18	U12/16E0.18-MC	2.7 - 4.0	U12/16E4-MC
0.18 - 0.27	U12/16E0.27-MC	4.0 - 6.0	U12/16E6-MC
0.27 - 0.4	U12/16E0.4-MC	6.0 - 9.0	U12/16E9-MC
0.4 - 0.6	U12/16E0.6-MC	8.0 - 11.0	U12/16E11-MC
0.6 - 0.9	U12/16E0.9-MC	10.0 - 14.0	U12/16E14-MC
0.8 - 1.2	U12/16E1.2-MC	13 - 18	U12/16E18-MC
1.2 - 1.8	U12/16E1.8-MC	17 - 23	U12/16E23-MC
1.8 - 2.7	U12/16E2.7-MC	22 - 30	U12/16E30-MC

Accessories

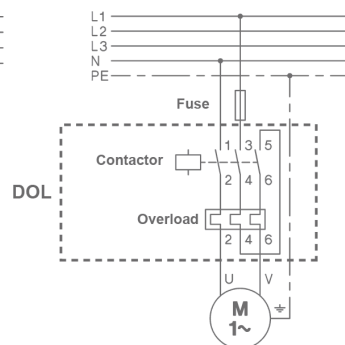
Description	Product
Normally Open (NO) Auxiliary - Max. 3	MCA10
Normally Closed (NC) Auxiliary - Max. 3	MCA01

Switching Circuit

Wiring Three Phase Motors

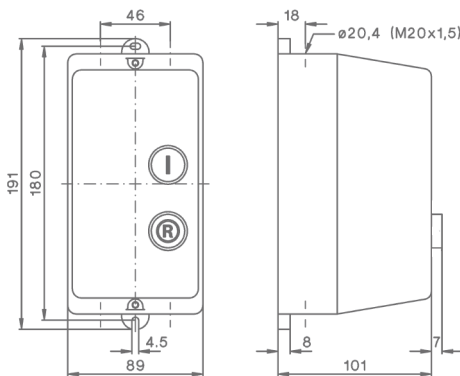


Wiring Single Phase Motors

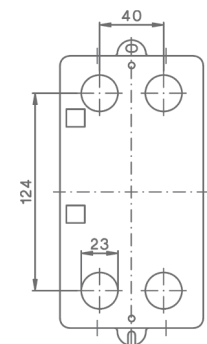
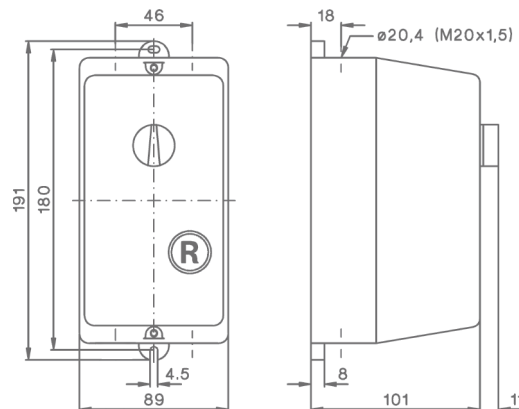


Dimensions (mm)

DOL10 / DOL18 / DOL22



DOLH10 / DOLH18 / DOL22



Direct-On-Line Starters

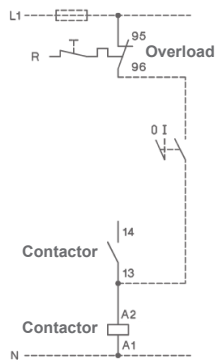


Technical Datasheet

Control Circuit

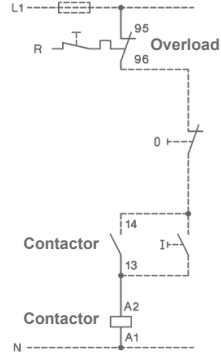
DOL

Remote 2-wire (switch) control



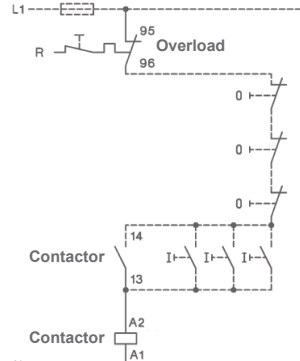
DOL

Remote 3-wire (pushbutton) control



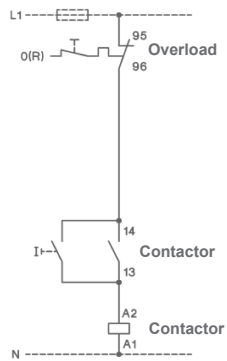
DOL

Remote start-stop control (3 control stations)



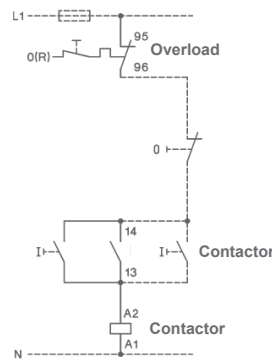
DOL10/18/22 with Push Buttons

with Overload Relay U12/16



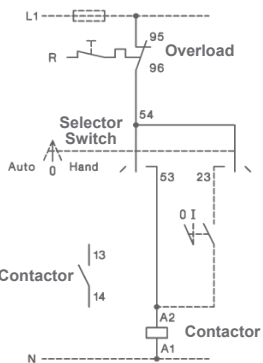
DOL10/18/22 with Push Buttons

with External Push Buttons



DOL10/18/22 with Selector Switch

with External Control Switch



DOL10/18/22 with Selector Switch

with External Push Buttons

