

4W STEP LIGHT SURFACE MOUNT TRICOLOUR LED



Model Numbers

MLXR3454W - White

MLXR3454M - Matt Black

Features

- Surface mounted, modern and robust designed for a wide range of applications both indoor and outdoor
- IP54 rated lighting solution for areas around the house, pathways and entrance areas
- Ideal solution for effective and efficient accent lighting of walls and facades
- Powder coated aluminium housing
- Supplied with mounting plate for easy installation
- Switchable colour temperature 3000K, 4000K and 5000K



2
YEAR
Replacement
Warranty



IP
54
Ingress
Protection



Non
Dimmable

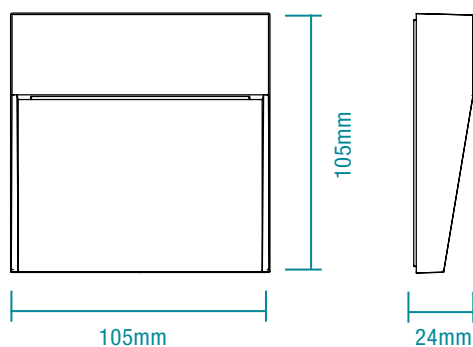


3000K
4000K
5000K
Tricolour



Class I

DIMENSIONS



Aust/NZ Approval No.

4W STEP LIGHT SURFACE MOUNT TRICOLOUR LED

SHIPPING

Model Numbers	Carton Size			Carton Quantity	Carton Gross Weight (Kg)
	H (mm)	W (mm)	L (mm)		
MLXR3454W	35	110	110	40	
MLXR3454M	35	110	110	40	

SPECIFICATIONS

Model Name	Regis
Model Number	MLXR3454W - White MLXR3454M - Matt Black
Power Wattage	4W
Voltage	220-240Va.c. 50Hz
Materials / Housing	Aluminium
Colour Temperature	3000K / 4000K / 5000K
Lumens Output	200lm
IP Rating	IP54
Beam Angle	90°
CRI	Ra>80
Rated Lifetime	30,000 hours @ Ta25°C
Dimmable	No

INSTALLATION

Installation	By licensed electrician only
Warranty	2 year replacement warranty

NB: For further information regarding warranty terms and conditions, please visit our website <https://www.martecaustralia.com.au/warranty-statement/>

Warranty is void unless installed by a licensed electrician.

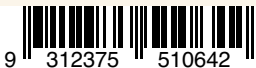
AVAILABLE COLOURS




White



Black Matt

Model	Colour	Barcode
MLXR3454W	White	 9 312375 510642

Model	Colour	Barcode
MLXR3454M	Matt Black	 9 312375 510635