



STARGEM III SE70801/TC - 15W

15 watt IP65 wall mounted LED floodlight with TC selectable colour temperature

Application

A stylish solution for residential exterior spaces

Design Specifications

- Robust adjustable black or white aluminium optical head assembly
- Durable polycarbonate mounting base
- Opal polycarbonate diffuser, beam distribution 100 degree,
- CCT colour selectable 3000K/4000K/5700K
- High efficiency SMD LED chips, integral non-dimmable LED driver



- IP65
- ta40
- LIGHTING
- DIMMABLE
- WW DL TC CW
- 3 YEARS COMMERCIAL WARRANTY
- 5 YEAR RESIDENTIAL WARRANTY
- WARM WHITE 3000K
- COOL WHITE 4000K
- DAYLIGHT 5700K

Technical Specification

Model No.	Input Voltage (V/AC)	Power (W)	Lumens (lm)	CCT (K)	CRI	Beam Angle (°)
SE7080/1TC/BK	240	15	1200/1300/1250	3000/4000/5700	80	100
SE7080/1TC/WH	240	15	1200/1300/1250	3000/4000/5700	80	100

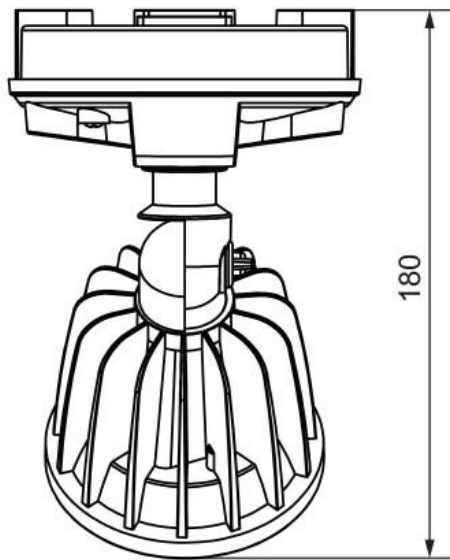
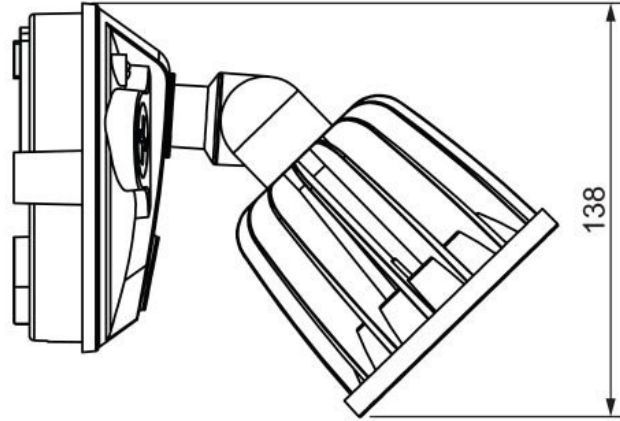
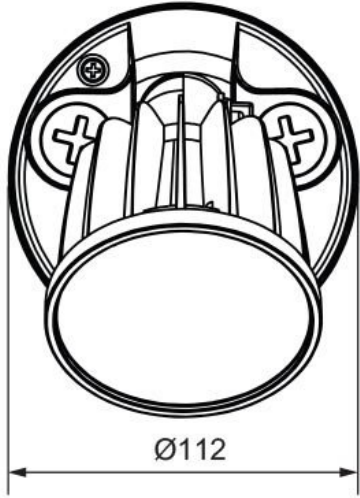
Technical Specification

Model No.	Body Colour	Mass (kg)
SE7080/1TC/BK	BLACK	0.3
SE7080/1TC/WH	WHITE	0.3

Due to continued product and technology enhancements, data sourced from sal.net.au shall not form part of any contract and or technical performance guarantee unless expressly confirmed in writing by SAL at the time of order. Products are sold in accordance with [SAL Terms and Conditions of sale](#) and all images shown are for illustration purposes only and may vary from the actual colour or finish. Unless specifically stated, all IP ratings nominated for Interior products are from "below the ceiling".

Dimensions

SE7080/1TC





Product Images

