

PRODUCT DATA and APPLICATION SHEET

Product Name: Large Dolly Switches

Product Code:

SW1/LD	Single Gang Switch Large Dolly
SW2/LD	2 Gang Switch Large Dolly
SW1/LDX	Single Gang Switch X Large Dolly
SW2/LDX	2 Gang Switch X Large Dolly
SW3/LDX	3 Gang Switch X Large Dolly
SW4/LDX	4 Gang Switch X Large Dolly

Description: Large Dolly Switch Plates 1, 2, 3 & 4 Gang Loaded

Features:

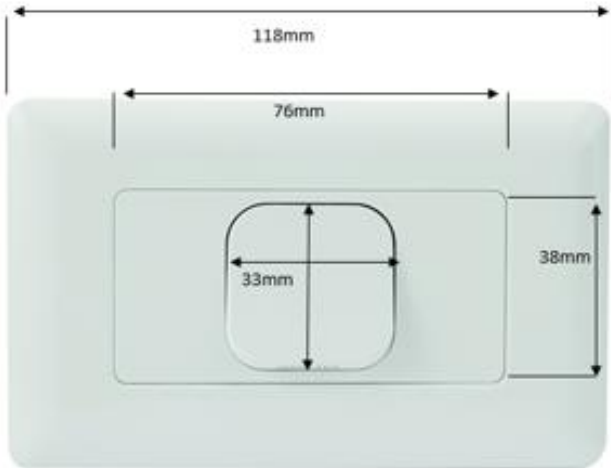
- TESLA Large Dolly range has been designed with a soft touch switch mechanism with a profile over 4 times the size of a traditional switch Mechs, this allows ease of use for Senior and Assisted living installs
- The stylish design also suits Recreation Club and Modern Home architecturally designed installations
- 16 Amp 250V
- AS/NZS3100, AS/NZS3133
- NOTE: Switch Mechs cannot be reconfigured



Ordering Codes and Dimensions

Part Number	Description	Box Qty	Ctn Qty	Length	Width	Depth	Mount Centres
SW1PL/LD	Single Gang Switch Large Dolly	10	100	118mm	74mm	26mm	84mm
SW2PL/LD	2 Gang Switch Large Dolly	10	100	118mm	74mm	26mm	84mm
SW1PL/LDX	Single Gang Switch X Large Dolly	10	100	118mm	118mm	30mm	84mm
SW2PL/LDX	2 Gang Switch X Large Dolly	10	100	118mm	118mm	30mm	84mm
SW3PL/LDX	3 Gang Switch X Large Dolly	10	100	118mm	118mm	30mm	84mm
SW4PL/LDX	4 Gang Switch X Large Dolly	10	100	118mm	118mm	30mm	84mm
ADAPT/LD	Adaptor to enable a regulay size Mech						
2XSM/LD	Dual 16 Amp Mech						

SW1/LD



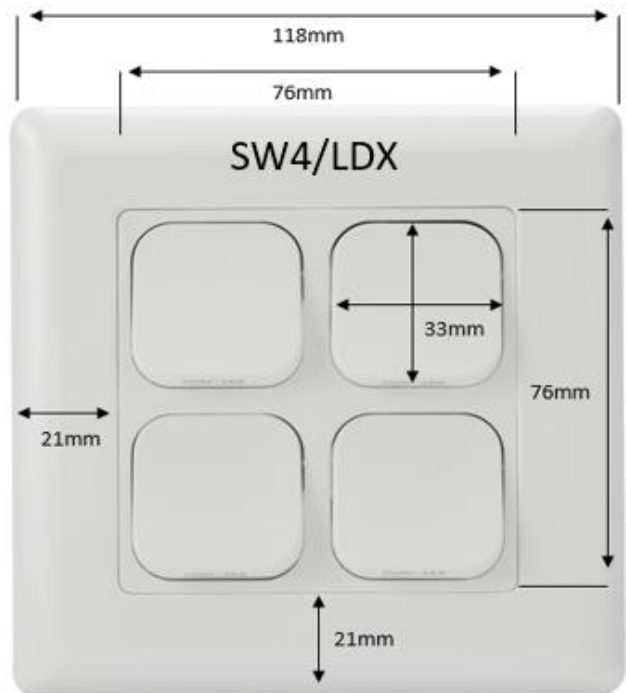
SW2/LD



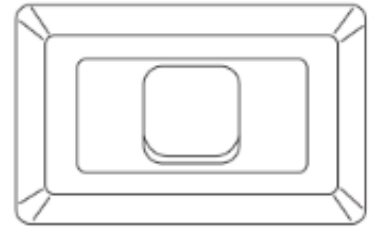
SW3/LDX



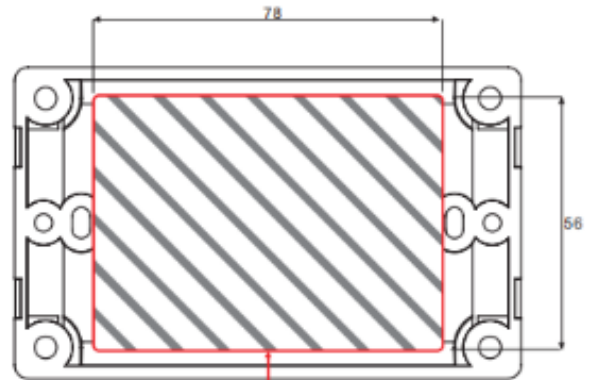
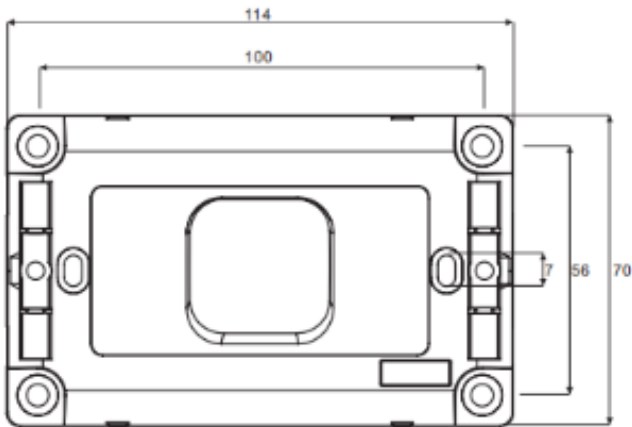
SW4/LDX



Single Gang Switch

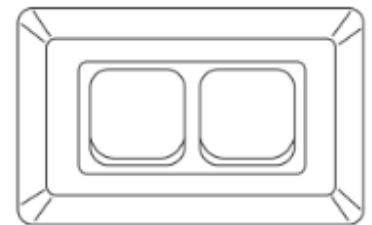


SW1/LD

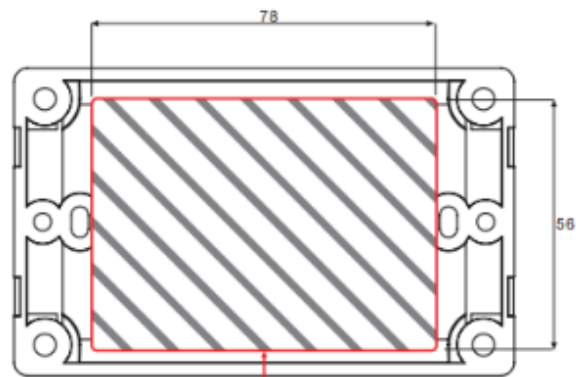
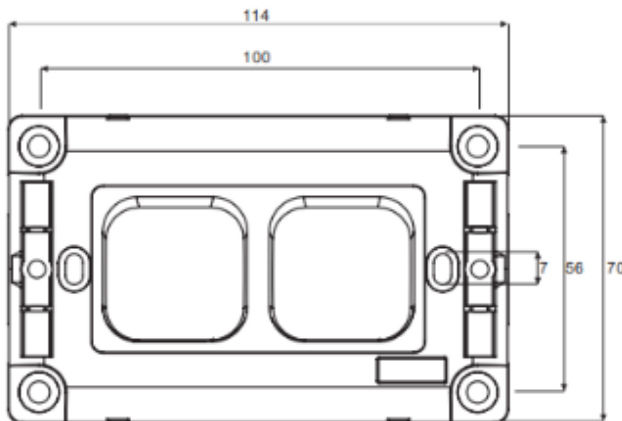


Maximum Clearance Area

Two Gang Switch

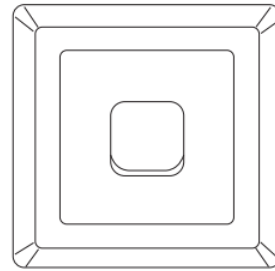


SW2/LD

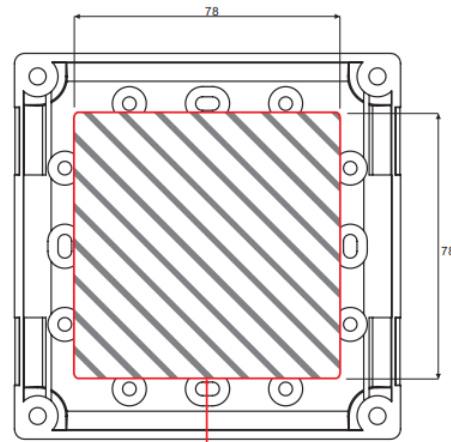
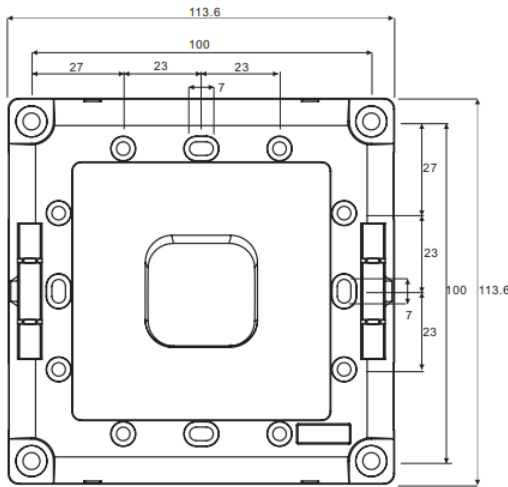


Maximum Clearance Area

L Single Gang Switch

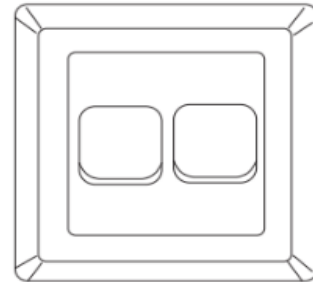


SW1/LDX

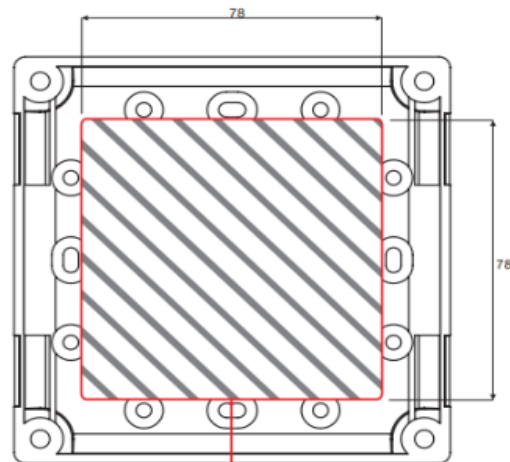
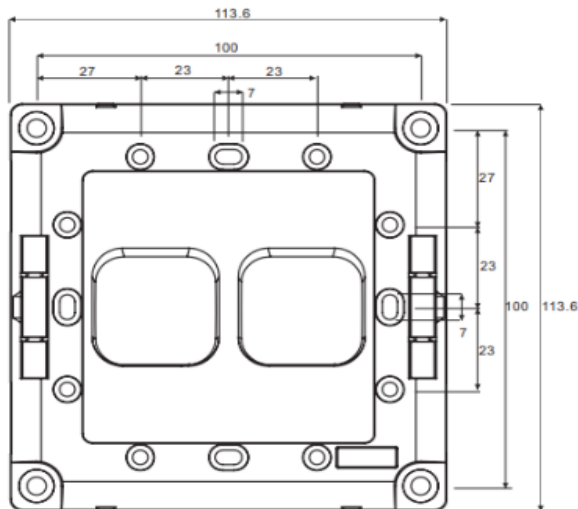


Maximum Clearance Area

L Two Gang Switch

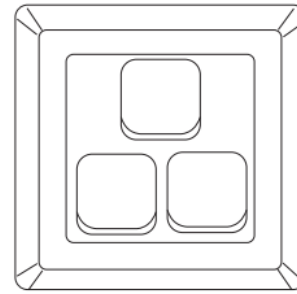
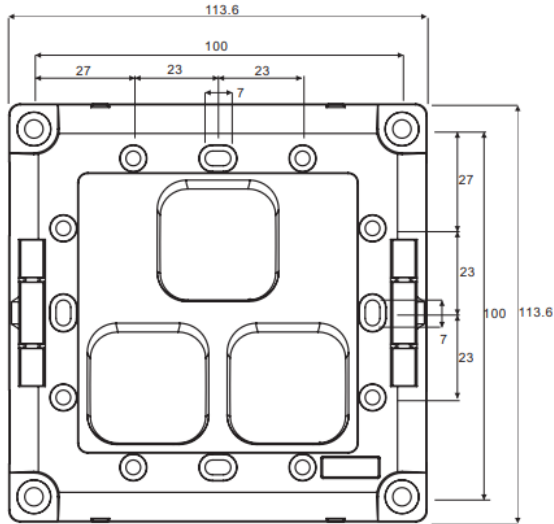


SW2/LDX

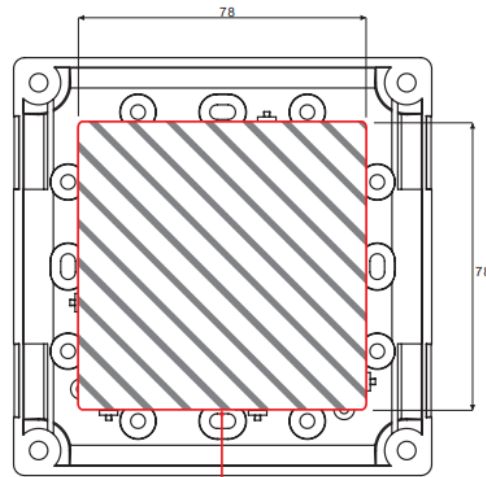


Maximum Clearance Area

L Three Gang Switch

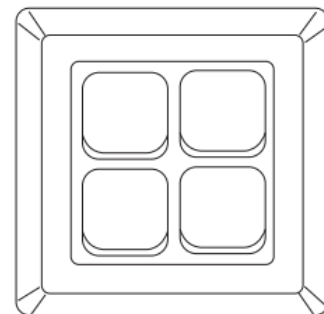
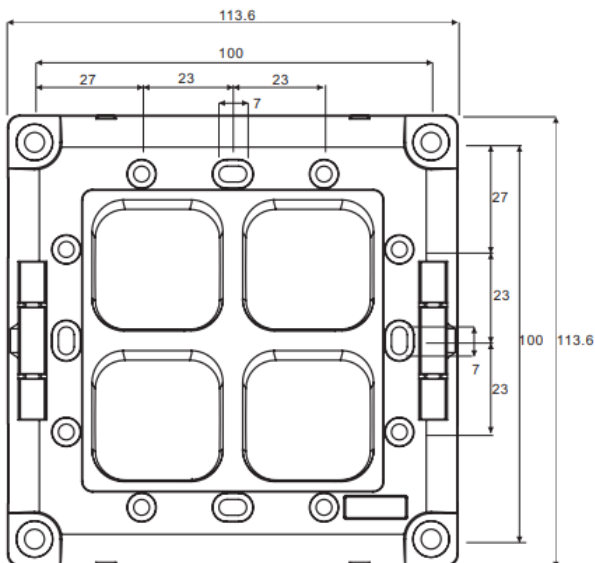


SW3/LDX

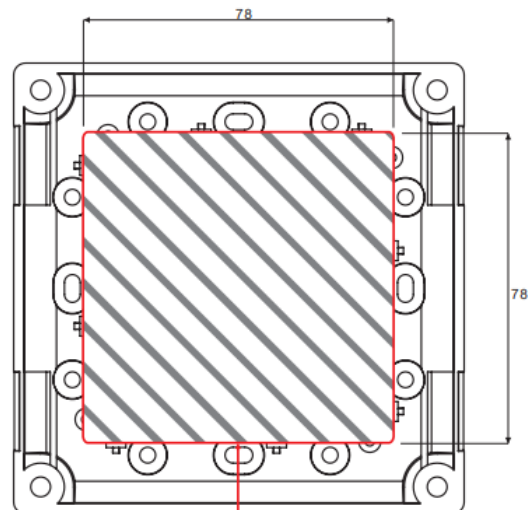


Maximum Clearance Area

L Four Gang Switch



SW4/LDX



Maximum Clearance Area